

Core-a-Gator[®]

Commercial-Grade Lightweight Folding Tables



Furniture That Fits[®]



Up to the Task & Built to Last

Core-a-Gator® Series folding tables are easy to transport, simple to set up and engineered for the long haul. Its patented design features a rugged ABS plastic corrugated center, an extruded aluminum frame, and an innovative leg-locking mechanism for smooth and dependable operation.

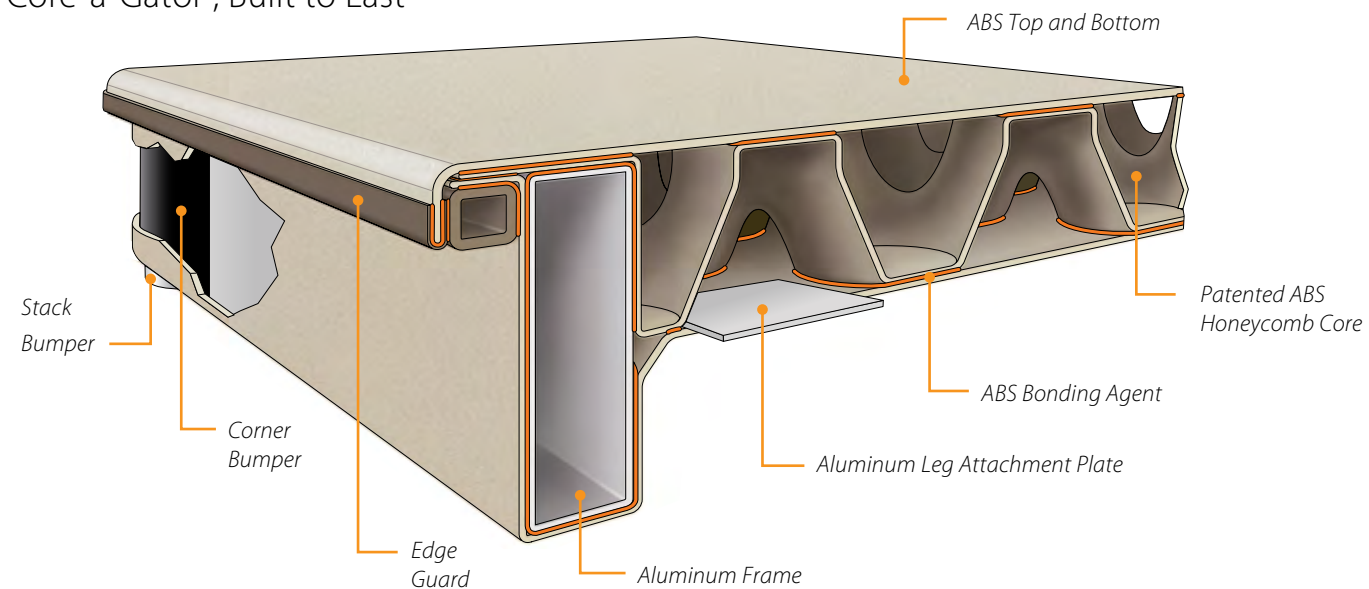
Whether you need folding tables to create temporary arrangements or remain set-up for everyday use, Core-a-Gator tables provide a durable yet lightweight solution to meet the needs of any active facility.

Superior Construction

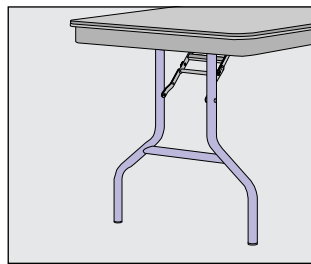
Virco's Core-a-Gator® line of folding tables was designed to stand up to years of heavy use based on our decades of experience working with convention centers, arenas, cafeterias, and banquet facilities.

Featuring a rugged ABS plastic core, these tables provide consistent and reliable performance in real-world conditions. In addition to their superior durability, the ease of transport, set-up, and tear-down prove Core-a-Gator tables are engineered for the long haul.

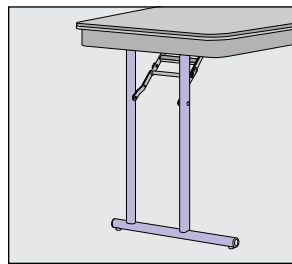
Core-a-Gator®, Built to Last



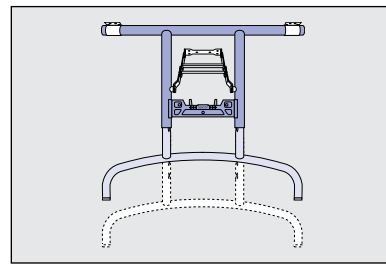
Wishbone Leg



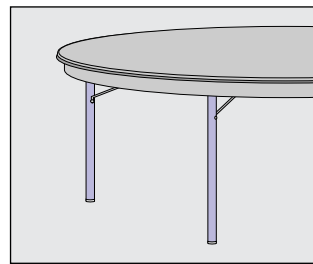
C-leg



Adjustable-Height Leg

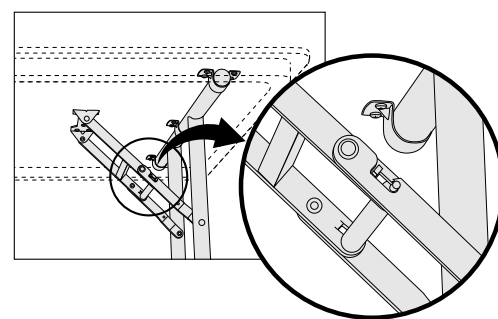


Straight Leg

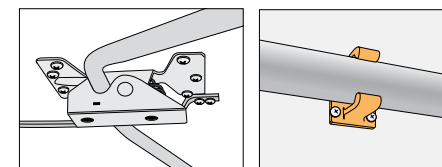


Locking Mechanism for Wishbone and C-Leg

Virco's patented locking mechanism adds strength, security and convenience to our Wishbone and C-leg designs. When setting up tables, unfold each leg with an outward motion to extend the hinges and engage the gravity-lock pin. To return legs to a folded position, set the table on its side and push the gravity-lock pin toward the tabletop, disengaging the pin from its locked position and allowing you to complete the folding process efficiently.



Round Table Leg Features



Round Core-a-Gator tables have a convenient spring clip mechanism that securely locks unfolded legs in position (left). Folded legs are held in place by injection-molded retention clamps for safe transport and storage (right).



Core-a-Gator® Models

Core-a-Gator Series lightweight folding tables are available in a range of shapes and sizes designed to accommodate any event.

A selection of storage carts for rectangular and round tables are also available to make moving and storage a snap.



18" Deep Fixed-Height Rectangular Tables

C-leg style.

MODEL	TOP SIZE	WEIGHT
611872	18" x 72"	34 lbs
611896	18" x 96"	40 lbs



24", 30" and 36" Deep Fixed-Height Rectangular Tables

Wishbone style leg.

MODEL	TOP SIZE	WEIGHT
612472	24" x 72"	39 lbs
612496	24" x 96"	47 lbs
613060	30" x 60"	39 lbs
613072	30" x 72"	45 lbs
613096	30" x 96"	54 lbs
613672	36" x 72"	50 lbs
613696	36" x 96"	61 lbs



30" and 36" Fixed-Height Crescent Tables

Wishbone style leg.

MODEL	TOP SIZE	WEIGHT
613060CR	30" x 60" Crescent	42 lbs
613672CR	36" x 72" Crescent	54 lbs



60", 66" and 72" Diameter Fixed-Height Round Tables

Straight leg style.

MODEL	TOP SIZE	WEIGHT
6160R	60" Round	55 lbs
6166R	66" Round	63 lbs
6172R	72" Round	68 lbs



60" and 72" Adjustable-Height Half-Round Tables

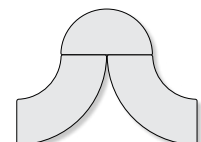
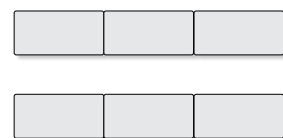
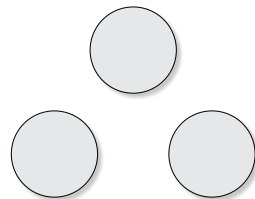
Adjustable height legs from 21" to 30"H.

MODEL	TOP SIZE	WEIGHT
6160HR	60" Half Round	40 lbs
6172HR	72" Half Round	44 lbs



Banquet Tables

Lightweight and durable, Core-a-Gator tables are perfect for the dynamic nature of banquet settings.



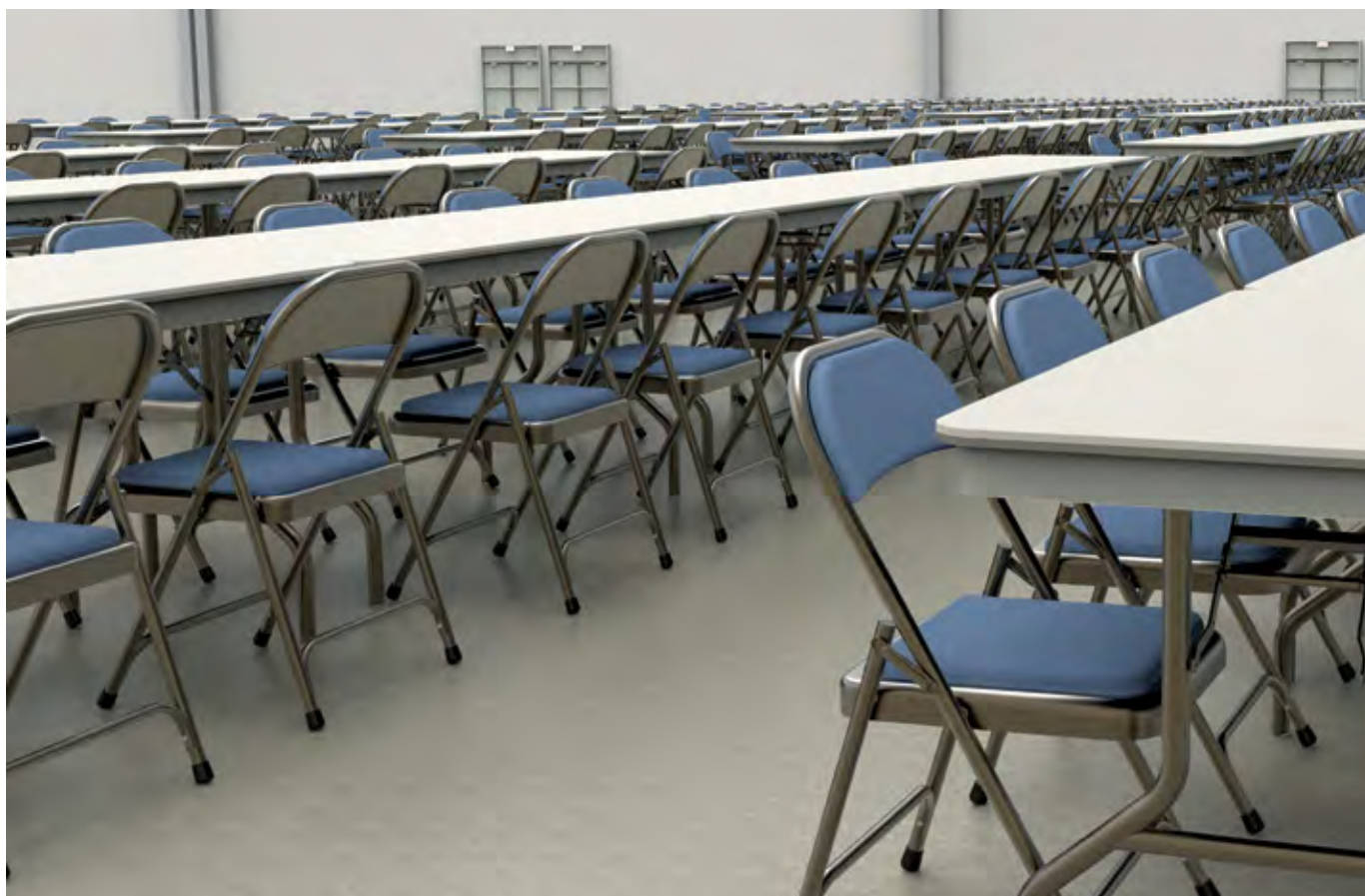
Seminar Tables

Designed to take up a smaller footprint, seminar tables feature innovative gravity-lock legs on all rectangular Core-a-Gator tables.

Shaped Tables

Fit for convention centers, event spaces and everyday settings, our Core-a-Gator® tables come in a variety of shapes and sizes.





Safe Environments

Virco proudly complies with all laws and governmental regulations affecting our products, including the California Air Resources Board (CARB) regulation on formaldehyde emissions from composite wood products and the federal Consumer Product Safety Improvement Act of 2008 (CPSIA).

UL GREENGUARD Certification

Virco was the first classroom furniture manufacturer to earn GREENGUARD® indoor air quality certification through the Greenguard for Children and Schools program. Today, hundreds of Virco classroom furniture models have earned this important certification.

ANSI/BIFMA

Please see virco.com for further information or questions on any specific model.

Warranty

Core-a-Gator tables come with a 10 year limited warranty. Please see virco.com for further information.

Proudly Designed, Manufactured And Assembled By American Workers

Since 1950, when we opened our doors in Southern California, Virco has been proud to design, manufacture and assemble our products in the U.S.



Virco Inc. • 2027 Harpers Way • Torrance, CA 90501 • 1-800-44-VIRCO • www.virco.com

Copyright 2021, Virco, all rights reserved. Virco®, Furniture That Fits® and Core-a-Gator® are registered at the U.S. Patent and Trademark Office.

PRINTED IN THE U.S.A. 5/21

REF# 19127a